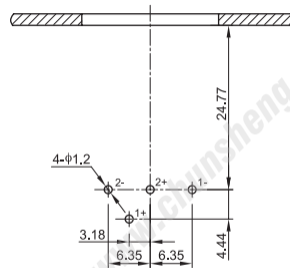
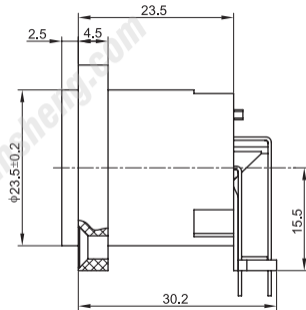
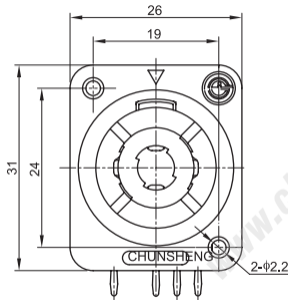




HP-31LT



PCB LAYOUT (TOP VIEW)